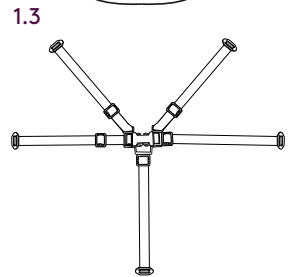
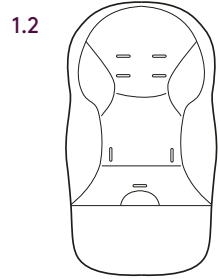
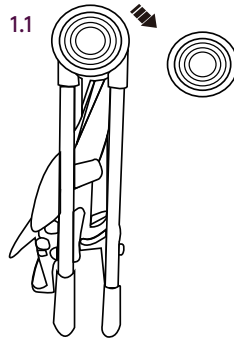
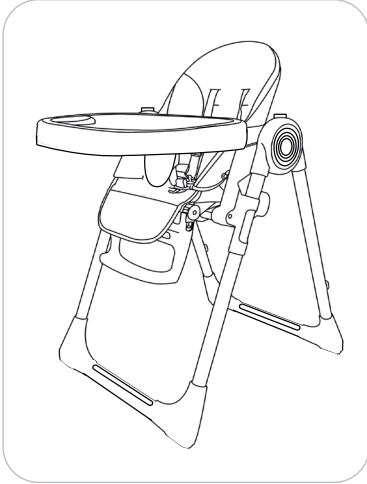


Silver Cross[®]

Gourmet

High Chair
Instruction Manual

**IMPORTANT – READ THE INSTRUCTIONS CAREFULLY
BEFORE USE AND KEEP FOR FUTURE REFERENCE**



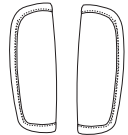
1.4



1.5



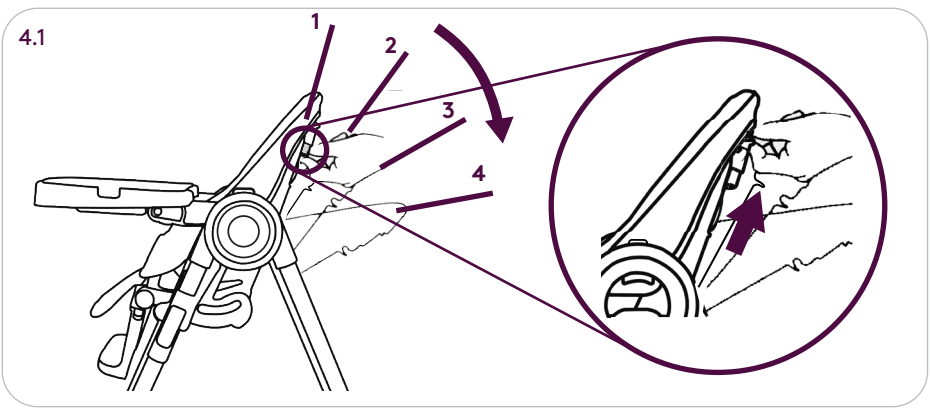
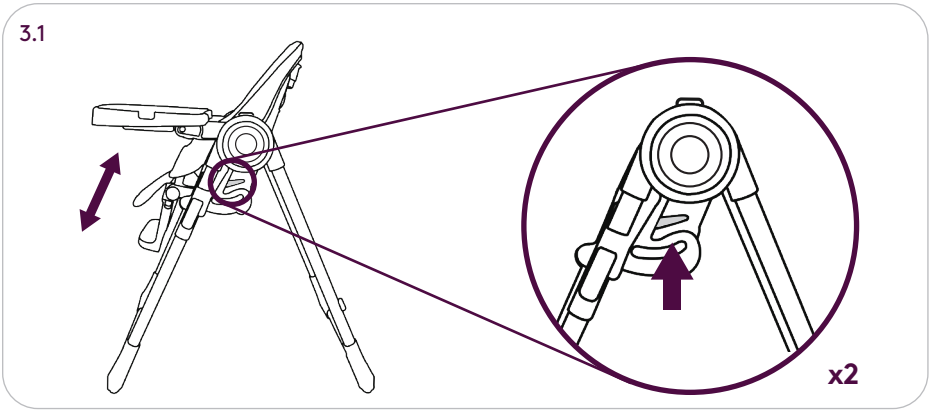
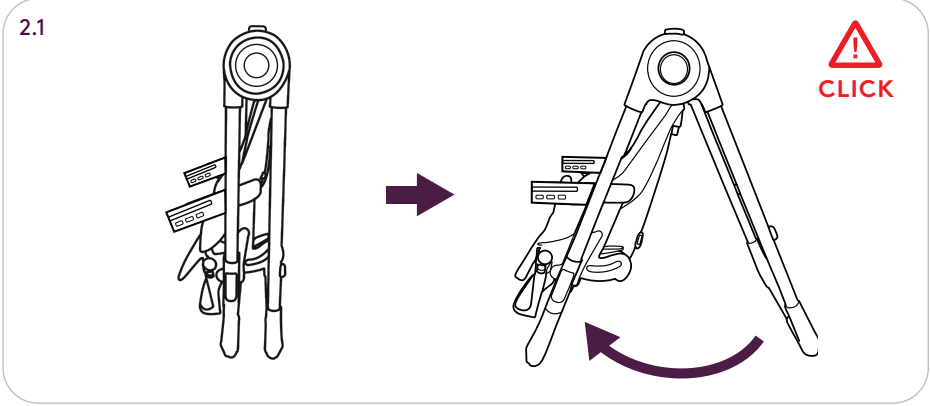
1.6

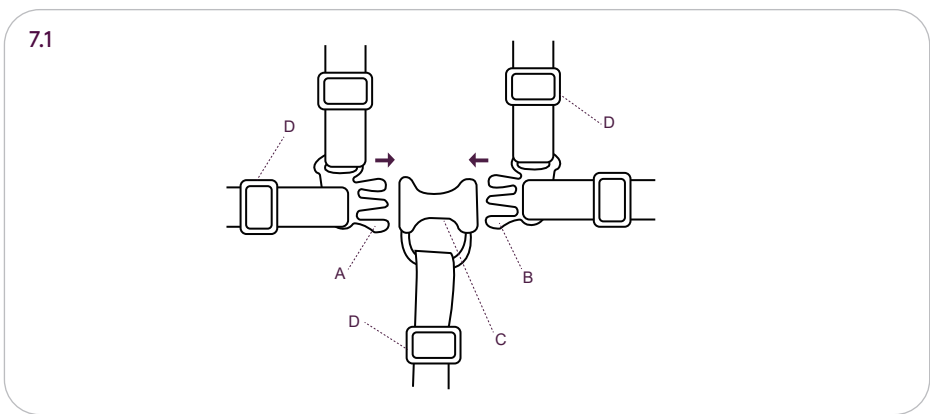
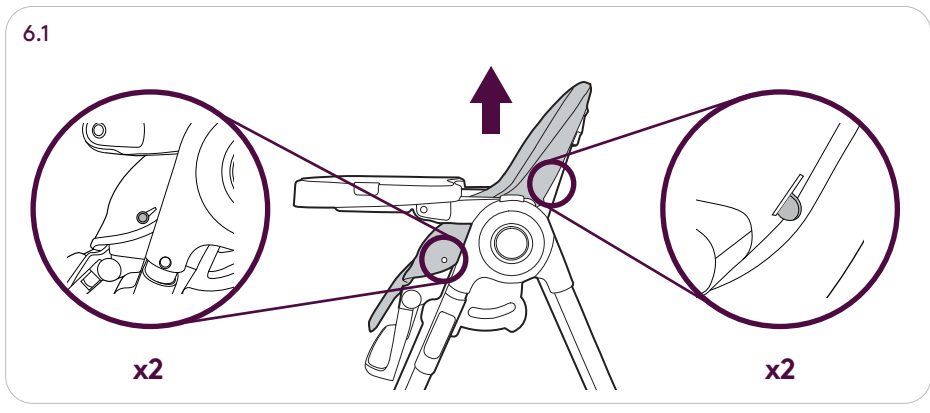
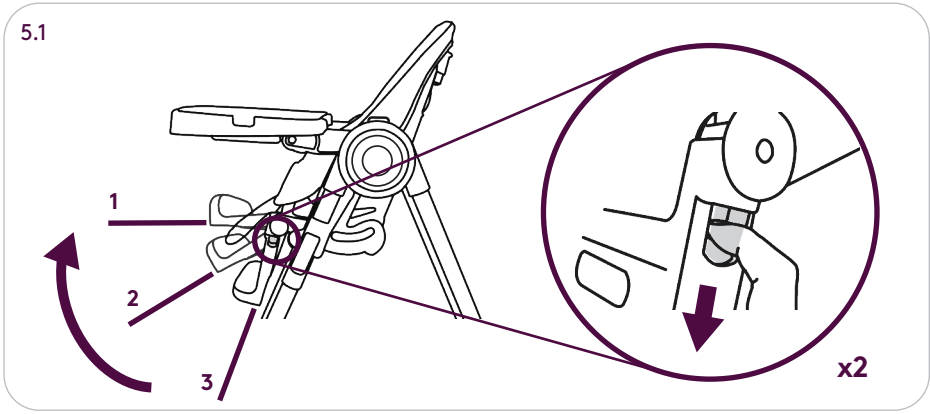


Contents

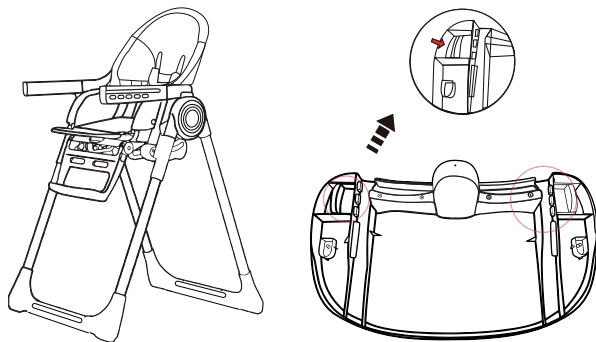
First check all your parts have been supplied.
Your High Chair includes:

- | | | | |
|-----|-------------|-----|-------------------|
| 1.1 | High Chair | 1.4 | Tray Cover |
| 1.2 | Seat fabric | 1.5 | Tray |
| 1.3 | Harness | 1.6 | Harness Pads (2x) |

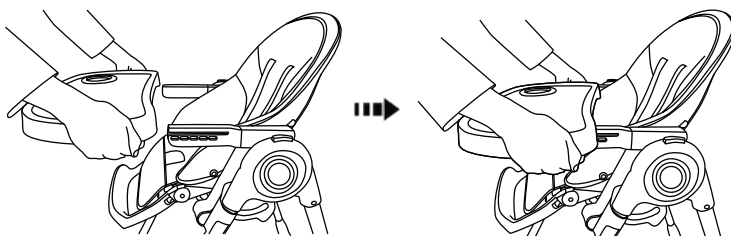




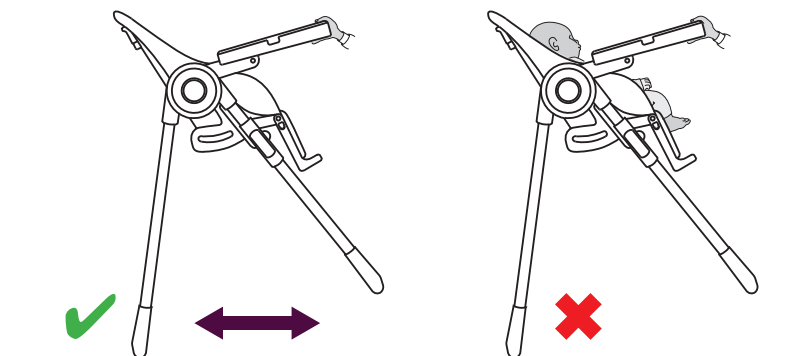
8.1



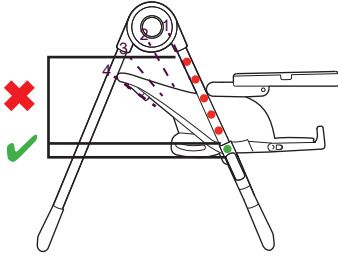
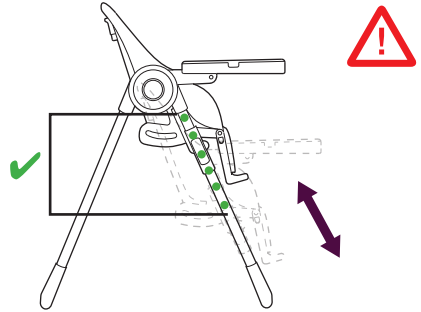
9.1



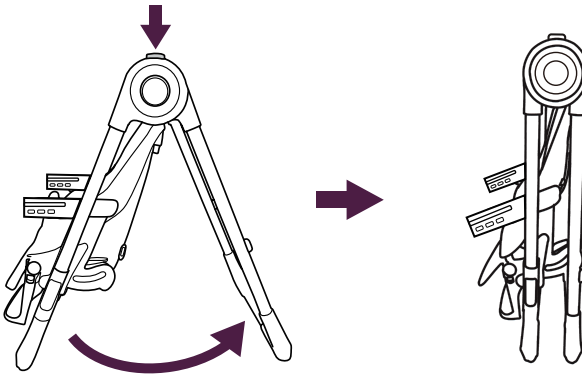
10.1



11.1

**0 - 6m****6m - 3y with tray
1y - 3y without tray**

12.1



Safety Notes

These instructions are important.

Read these instructions before use and keep them for future reference. Your child's safety may be affected if you do not follow these instructions.

WARNING **FALL HAZARD:**

CHILDREN HAVE SUFFERED SEVERE HEAD INJURIES INCLUDING SKULL FRACTURES WHEN FALLING FROM HIGH CHAIRS. FALLS CAN HAPPEN SUDDENLY IF CHILD IS NOT RESTRAINED PROPERLY.

- ALWAYS USE RESTRAINTS, AND ADJUST TO FIT SNUGLY.
- TRAY IS NOT DESIGNED TO HOLD CHILD IN CHAIR.
- STAY NEAR AND WATCH CHILD DURING USE.
- SUITABLE FOR CHILDREN FROM BIRTH UP TO 3 YEARS OLD.
- MAXIMUM WEIGHT 33LB (15KG).
- THE CHILD SHOULD BE SECURED IN THE HIGH CHAIR AT ALL TIMES BY THE RESTRAINT SYSTEM, BOTH IN THE RECLINED AND UPRIGHT POSITIONS.
- NEVER USE NEAR STAIRS.
- DO NOT LIFT OR MOVE HIGH CHAIR WITH CHILD IN IT.
- DO NOT ADJUST SEAT POSITION WITH CHILD IN IT.
- ONLY USE ON A FLAT, EVEN AND HORIZONTAL FLOOR. DO NOT ELEVATE THE HIGH CHAIR ON ANY STRUCTURE OR TABLE.
- NOT TO USE THE PRODUCT IF ANY PART IS BROKEN, TORN OR MISSING.
- DO NOT USE ACCESSORIES OR REPLACEMENT PARTS OTHER THAN THOSE APPROVED BY THE MANUFACTURER.
- BE AWARE OF THE RISK OF OPEN FIRES AND OTHER SOURCES OF STRONG HEAT IN THE VICINITY OF THE PRODUCT.
- DO NOT USE THE PRODUCT UNLESS ALL COMPONENTS ARE CORRECTLY FITTED AND ADJUSTED.
- KEEP CHILDREN AWAY WHEN UNFOLDING AND FOLDING THE PRODUCT TO AVOID INJURY.
- TO REDUCE THE RISK OF INJURY, POSITION THE HIGH CHAIR AWAY FROM FURNITURE, WALLS, HOT SURFACES AND LIQUIDS, WINDOW COVERING CORDS, AND ELECTRICAL CORDS.
- TO REDUCE THE RISK OF INJURY, POSITION THE HIGH CHAIR AWAY FROM FURNITURE, WHEN THE CHAIR IS NOT BEING USED AT TABLE WITH A TRAY REMOVED.
- ADULT ASSEMBLY REQUIRED.

-
- **THIS PRODUCT COMPLIES WITH ASTM F404-21.**

RECLINED CRADLE MODE

This mode is suitable from birth up to 20lb (9.1kg) or 6 months old, whichever comes first.

WARNING

- **DISCONTINUE USE OF THIS CRADLE MODE WHEN CHILD IS ABLE TO SIT UPRIGHT UNASSISTED OR WEIGHS MORE THAN 20LB (9.1KG).**
- **THE RECLINED CRADLE IS NOT INTENDED FOR PROLONGED PERIODS OF LEEPING.**
- **THIS RECLINED CRADLE DOES NOT REPLACE A COT OR A BED. SHOULD YOUR CHILD NEED TO SLEEP, THEN IT SHOULD BE PLACED IN A SUITABLE COT OR BED.**

UPRIGHT HIGH CHAIR MODE

This mode with tray is suitable from 6 months to 33lb (15kg) or 3 years old, whichever comes first. This mode without tray is suitable from 12 months to 33lb (15kg) or 3 years old, whichever comes first.

WARNING

- **IT IS RECOMMENDED THAT THE HIGH CHAIR BE USED IN THE UPRIGHT POSITION ONLY BY CHILDREN CAPABLE OF SITTING UPRIGHT UNASSISTED.**

- **FALLING HAZARD: PREVENT YOUR CHILD FROM CLIMBING ON THE PRODUCT. BE AWARE OF THE RISK OF TILTING WHEN YOUR CHILD CAN PUSH ITS FEET AGAINST A TABLE OR ANY OTHER STRUCTURE.**

CLEANING AND MAINTENANCE

PRODUCT MAINTENANCE:

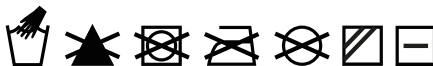
Protect from the weather: water, rain, or snow; prolonged and continuous exposure to bright sunlight may give rise to colour changes of various different materials; store this product in a dry place. The maintenance have to be regularly.

CLEANING THE FRAME:

Periodically clean all plastic parts with a damp cloth. Do not use solvent or similar cleaning products; keep all metal parts dry to prevent rusting; keep moving parts clean (adjustment mechanisms, locking mechanisms, wheels, etc) and free of dust and sand and if necessary, lubricate with light machine oil all metallic moving parts. Check all nuts and bolts for tightness and tighten when required. Check all coverings for bolts and sharp edges and replace when required. Check slightly swing seat and attachments for evidence of deterioration. Replace when required in accordance with the manufacturer's instructions.

CLEANING THE FABRIC:

Wash with a damp cloth and neutral detergent. Do not wring. Do not use chlorine bleach. Do not iron. Do not dry clean. Do not use solvents for stain removal. Do not spin dry.



Silver Cross[®]

USA

Silver Cross North America, Royal Baby
Distributors Inc. 2901 Stirling Rd,
Suite 207, Fort Lauderdale FL 33312

Silver Cross[®]

silvercrossus.com